

COB LED Magnetic Work Light LED-M3R

Introduction:

1. LED-M3R is a small and convenient LED work light which is ideally designed for precision work.
2. 410mm Flexible gooseneck arm and magnetic base, very convenient for positioning lamp and control the lighting area.
3. Use 5W COB LED chip, 400lm output, long lifetime and energy saving.
4. Variety of input voltages optional to fit different applications, AC100-240V 50/60Hz, AC/DC12V, AC/DC24V.

Application:

CNC machine work: engraving machine, EDM machine etc.
 Assembly and repair work.
 Point Lighting.
 Laboratories.

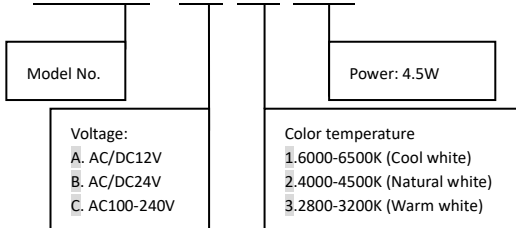
Warranty: 3 years

Certification: CE, RoHS, TUV, FCC

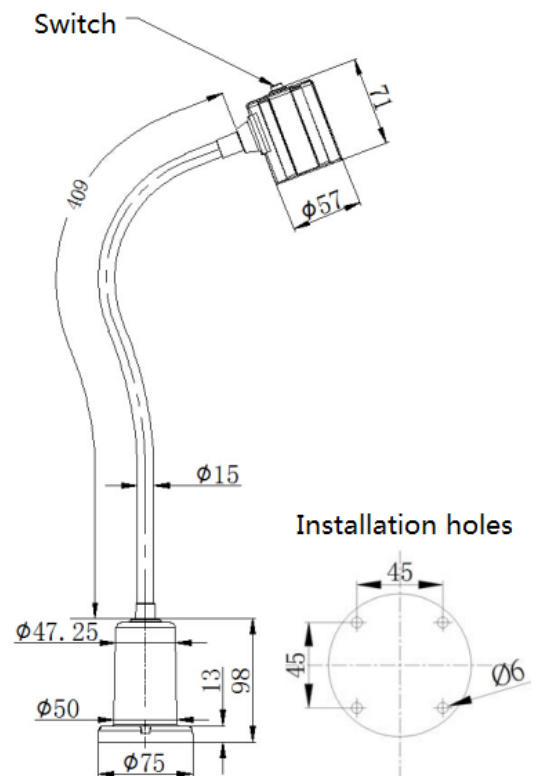


Ordering code:

LED M3R - B 1 4.5W



Dimension(mm):



Parameter:

Power	4.5W
Input voltage	AC100-240V(50-60Hz), AC/DC24V, AC/DC12V
Lumen output(Efficiency)	400lm (85lm/w)
CRI	>82
IP rating	IP20
Beam angle	45 deg
Color temperature	2800-3200K, 4000-4500K, 6000-6500K
Material	Aluminum housing , PMMA lens, PA+15%GF+magnet base
Lifetime	50,000 hours
Working temperature/ humidity	-20~45°C / 10%-90%
Storage temperature/ humidity	-20~60°C / 10%-90%
Installation	Fixed by magnetic base

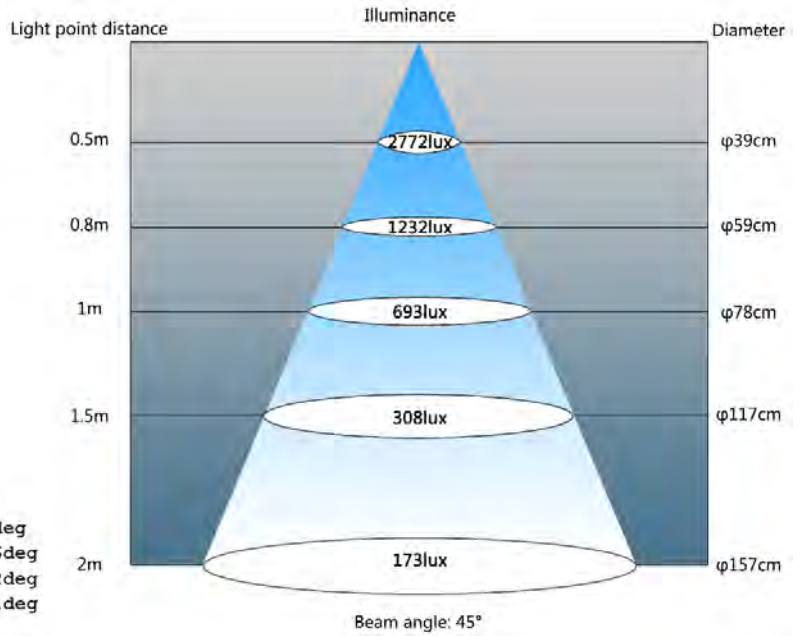
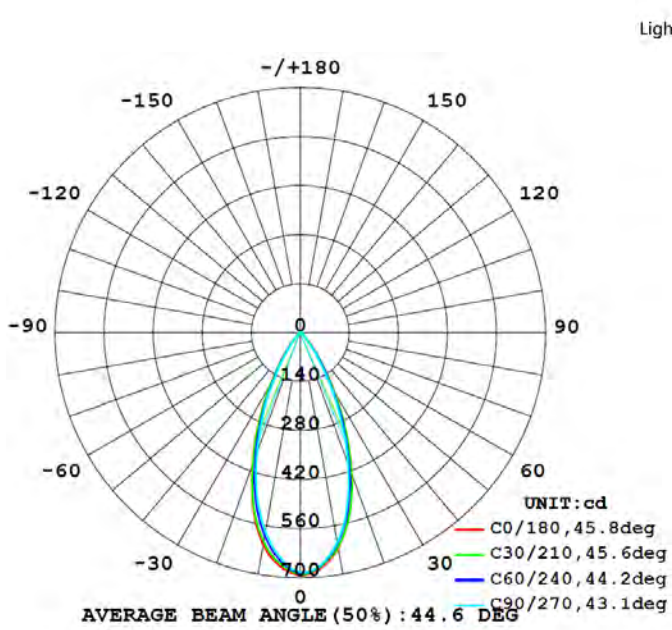
Attention:

There is a magnet in the base of lamp, can adsorb on iron.

In order to avoid to interference other electronic products, please keep the lamp base at least 100mm away from other electronic products.

LightGen

Light distribution data



Wire connection:

DC12/24V Cable

Positive(+): Red



Negative(-): White

AC100-240V Cable

L : Brown



N : Blue

Package info

Qty/carton	20pcs/carton
Carton Size	L620*W380*H460mm
Net Weight	11.6kg
Gross Weight	16kg

